

A

B

C

D

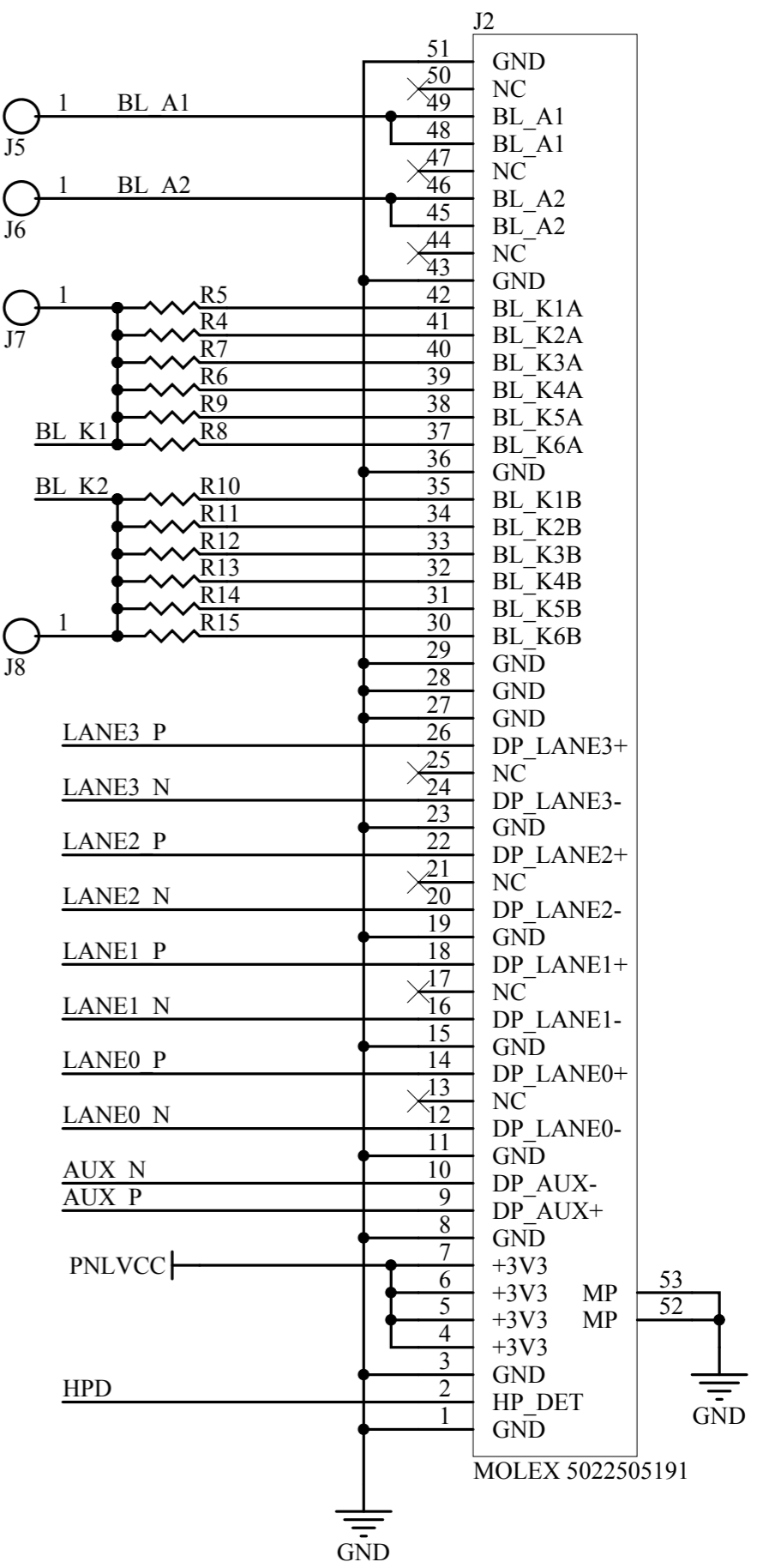
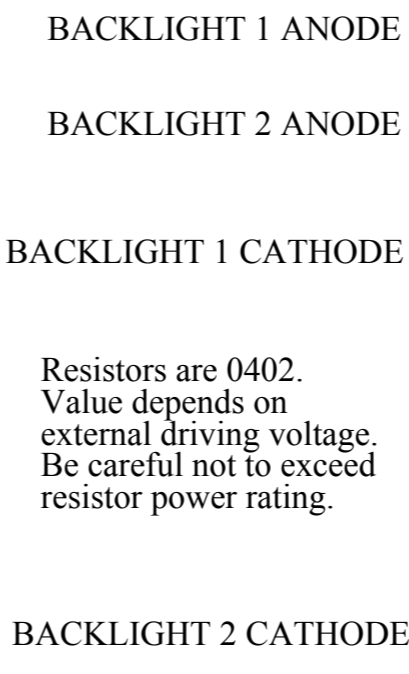
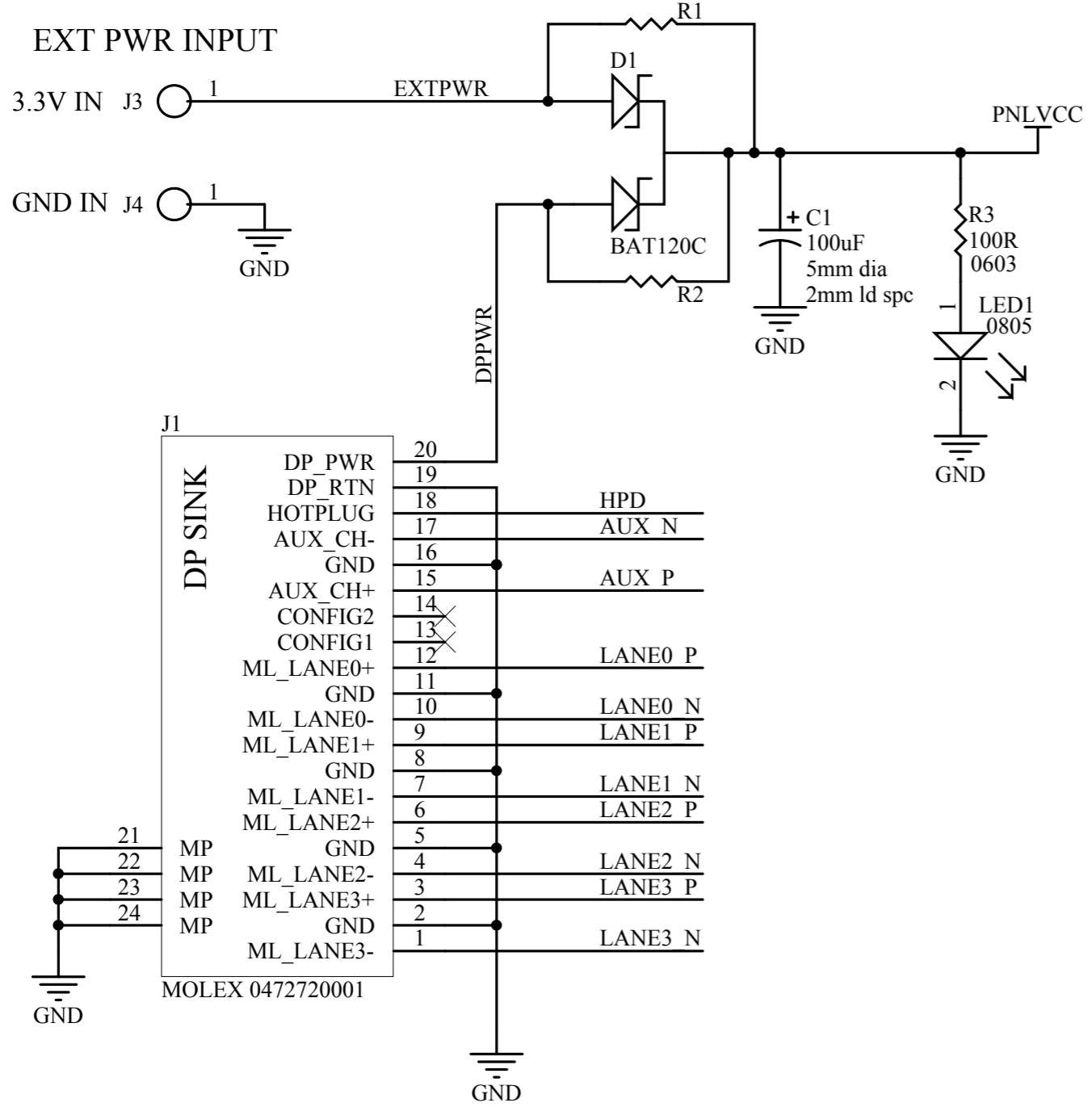
A

B

C

D

DIODE-OR BYPASS:
 Remove diode and install
 R1 for exclusive external power,
 R2 for exclusive DP power.
 Use 0 ohm 0603 jumpers.



REV	DATE	DESCRIPTION
B	2013-06-14	FIX DP PINOUT. MISC EASE OF ASSY UPDATES.
A	2013-05-02	INITIAL RELEASE

	TITLE IPAD RETINA DISPLAY SIMPLE INTERFACE ADAPTER	
	DRAWN MAS	DOC NO. SCH10002
DATE 2013-05-02	ASSY ID PCB10002	REVISION B
		SHEET 1 OF 1