

1

2

3

4

A

A

B

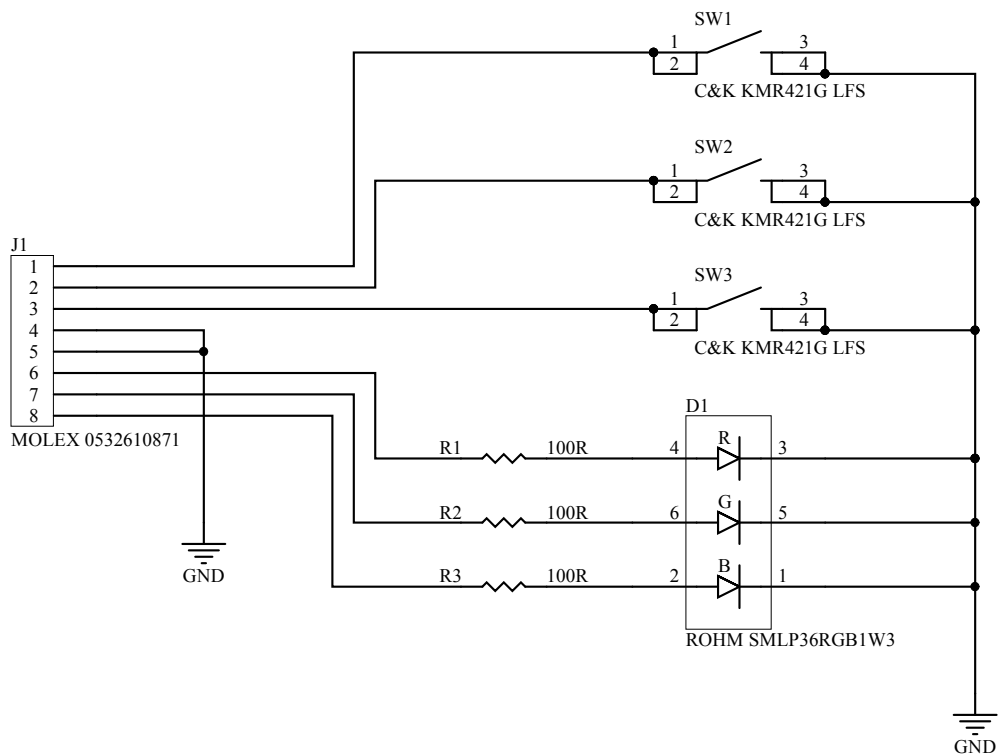
B

C

C

D

D



A	2013-05-03	INITIAL RELEASE
REV	DATE	DESCRIPTION



TITLE		IPAD RETINA DISPLAY MOD BUTTON / INDICATOR BOARD	
DRAWN	MAS	DOC NO.	SCH10003
DATE	2013-05-03	REVISION	A
		ASSY ID	PCB10003
		SHEET	1 OF 1

1

2

3

4